

Specifications

LW541H (EU)

		32	43	49	
DISPLAY	Type	Slim Direct			
	Resolution	1,920 x 1,080 (FHD)			
	Brightness	300cd/m ²			
	Dynamic Contrast Ratio	1,000,000:1			
	Static Contrast Ratio	1,200:1			
	Viewing Angle Degree	178° / 178°			
BROADCASTING SYSTEM	Analog	PAL/SECAM			
	Digital	DVB-T2/C/S2			
VIDEO	Triple XD Engine	•			
	Real Cinema 24p (3.3 Pull down)	•			
	Aspect Ratio	• 8 modes (16:9, Just scan, Original, Full Wide, 4:3, 14:9, Cinema Zoom 1, Zoom)			
AUDIO	Audio Output / Speaker System	10W + 10W / 2.0 ch			
	Sound Mode	6 modes (Standard, News, Music, Cinema, Sport, Game)			
	Clear Voice	•			
	Pro:Centric®	Pro:Centric V PCA 3.7 or below 1 Tuner GEM / Flash			
GENERAL FEATURES	Management	Self Diagnosis / EZ-Manager (for Initial Configuration)			
	Interactivity	HTNG / HDMI-CEC			
	Connectivity	MHL			
	RJP Compatibility	LG / Teleadapt (RS232C), Teleadapt / Guestlink (HDMI CEC)			
	Advanced Setting Option	Auto Off / Auto Sleep, Smart Energy Saving, Motion Eye Care			
	Anti-theft System	Kensington Lock, Credenza / Security Screw Hole, Lock Down Plate, Commercial Swivel Stand			
	COMMERCIAL FEATURES	Welcome Screen/Video, One Channel Map, Hotel Mode, Lock Mode, IR Out, Multi IR Code, Instant On, TV Link Interactive, External Speaker Out, External Power, SNMP, External Clock Ready			
INTERFACE	Side	HDMI In (2), USB 2.0, CI Slot			
	Rear	RF In (2), Component In (Video, RCA5), Component In (Audio), Optical Audio Out, HDMI / HDCP Input, RS-232C, Headphone Out, Clock Interface, LAN Port, External Speaker Out (2)			
CABINET (Unit : mm)	Bezel Width (L/R, U, B) : on bezel based	14.1, 13.6, 19.1	12.1, 12.1, 15.1		
	Bezel Width (L/R, U, B) : off bezel based	11.6, 11.1, 16.6	9.8, 9.8, 12.8		
	Vesa	200 X 200		300 X 300	
	WxHxD / weight (w/o stand)	733 x 436 x 72.2 (SPK 76.3) / 5.32kg	974 x 571 x 70.3 (SPK 79.4) / 9.2kg	1,107 x 645 x 70.3 (SPK 79.4) / 12kg	
	WxHxD / weight (with stand)	733 x 490 x 240.8 / 6.47kg	974 x 619 x 303 / 12.4kg	1,107 x 695 x 303 / 15.0kg	
	WxHxD / weight (Carton)	812 x 520 x 190 / 7.95kg	1,147 x 730 x 175 / 15.2kg	1,300 x 775 x 175 / 19.6kg	
POWER (Unit : Watts)	Voltage, Hz	100~240V, 50 / 60 Hz			
	Max	76	87	94	
	Typical	51	63	70	
	Stand-by	0.3↓			
	Energy Saving (Min)	41	50	56	
	Energy Saving (Med)	28	35	39	
	Energy Saving (Max)	16	19	21	
STANDARD APPROVAL	Safety	CB			
	Environment	CE			
	Etc.	ROHS, ErP, Eco flower (EU only)			
	ErP Class	A+			
	On Power Consumption	30W	40W	48W	
	Luminance	65%			
	Mercury Content	0 mg			
	Presence of Lead	Yes			
	Average Annual Consumption	44kwh	58kwh	70kwh	

Download LG Commercial Display Mobile App



Learn more www.lg.com/b2b or www.lgcommercial.com

YouTube [youtube.com/c/LGCommercialDisplay](https://www.youtube.com/c/LGCommercialDisplay)

All screen images are simulated. Dimension and weights are approximate. Design, features and specifications subject to change without notice. Copyright © 2016 LG Electronics Inc. All rights reserved. "LG Life's Good" is a registered trademark of LG Corp. The names of products and brands mentioned here may be the trademarks of their respective owners.



Pro:Centric® V

LW541H (EU)

Comprehensive Hospitality Solution with Pro:Centric®

Now, you can manage your hotel more easily and efficiently with Pro:Centric® series TV models, helping your guests to have a more comfortable and convenient experience in their hotel room. You can also configure and/or update all guest room TVs via a centralized management system, thereby saving cost and workforce.



LW541H

- Pro:Centric® Application
- Embedded Customizable Templates
- Multiple Channel Spooling
- EZ-Manager
- Swivel Stand

*Full features are available when the model is connected to the Pro:Centric® server.

screen size

32", 43", 49"

Key Features



Enhanced Guest Experience

Pro:Centric enables to differentiate guest room experiences with customizable billboards and Electronic Program Guide (EPG) which easily navigates TV channels and program.

Features

- Advanced wake-up time setting
- EPG
- Hotel Information
- Weather
- Map
- PMS Interfaced Service



Easy Content Management

Pro:Centric enables centralized and intuitive in-room TV control from the TV settings to content creation and updates.

Features

- Embedded Customizable Templates (Added one more template in 2016)
- Up to 8 Hotel Channel Spooling



Optimized Total Cost of Ownership

Optimize TCO with Pro:Centric® by saving workforce and time for development & management cost for hospitality solutions.

Features

- EZ-Manager 2.1 for more efficient initial configuration
- Remote Management via RF & IP

Hospitality Features



Commercial Swivel Stand

Expand the range of comfort for the guests with a commercial grade stand by allowing them to watch a TV from any angle.



Welcome Screen/Video

With the capability to display various video formats* as well as images, Commercial Lite TVs allow for a greater variation of greeting messages in hotel rooms which make customers feel more welcome and cared for. * mp4, avi, mov, tp, wma, ts etc.



Self Diagnosis

Enable service engineers to recognize technical issues of a TV quickly and easily through a USB. The TV stores any technical issues encountered and can output them to a USB device.



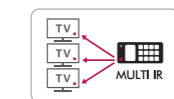
External Speaker Out

Enhance the entertainment experience by adding an additional speaker. Guests listen to and control the TV audio from anywhere in the business areas, including restrooms.



One Channel Map

One Channel Map feature allows users to edit and list the channels of their choice from any of the multiple broadcasting signals.



Multi IR

Multi IR function eliminates the remote control signal interference between TVs in multiple dwelling beds.



Comprehensive Hospitality Solution with Pro:Centric®

Pro:Centric® V LW541H

Pro:Centric® V

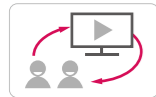
EU



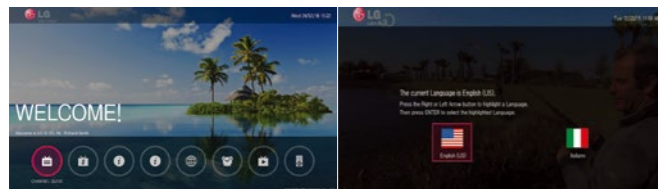
The Pro:Centric® Application enabled with the Pro:Centric® server provides customizable templates. With those templates, hoteliers can add the hotel branded portal pages and channels. It is also ready for guest-centric services, such as a Welcome Page with the guest's name, Auto Language Setting and Billing Information with the customizable billboard and map pages, etc.

Pro:Centric® Features

Enhanced Customer Experience

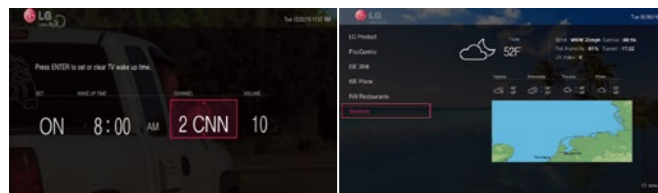


Personalize the page with the Pro : Centric® applications(PCA) which improves guests' in-room experience by providing a variety of additional features conveniently just for them.



Welcome Page

Language selection



Wake-up Setting

Weather Information

• Personalized Pages

When linked with the Property Management System, it provides a Welcome Page with the guest name, Auto Language Setting and Billing information with the guest's name. (From 2016, Arabic, Hebrew, Persian language are also available)

• Various Additional Features

PCA serves the convenience of the guest through a Wake-up setting, Weather Information, Map Service, and much more functions that you can choose.

Easy Content Creation & Management

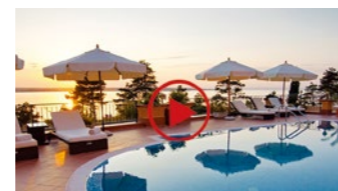


You can now differentiate your hotel with our customizable templates and pages which can be specialized for your property. Pro:Centric® provides you a solution that is easily customizable for your business.



• Customizable Template & Page

Choose an alternative look & feel template based on your preference, and edit multiple sections with 40 pages of billboards by yourself with the web based tool. (Max 15pages / section Available)



• Multi Channel Spooling

Operation of up to 8 hotel channels (22 sub-channels) can offer various information and added services.

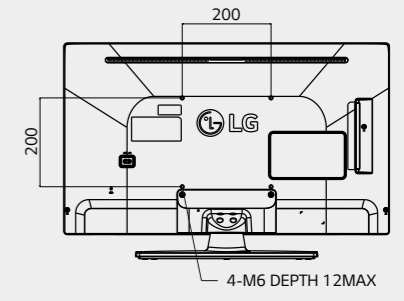
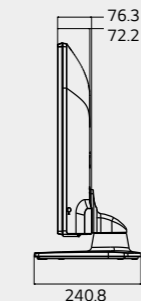
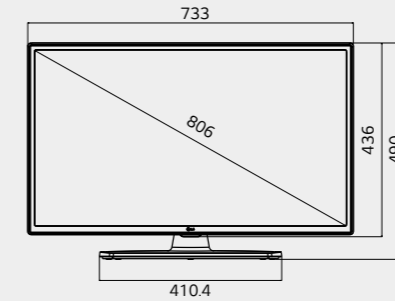
Dimensions (mm, with stand)

32"

733.2 x 490 x 240.8

6.47kg

*Swivel

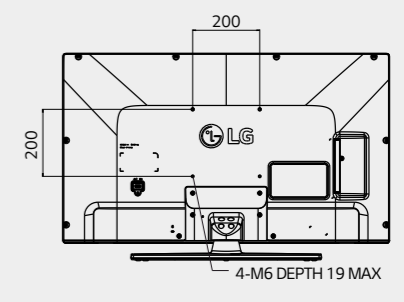
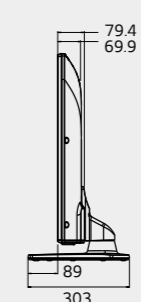
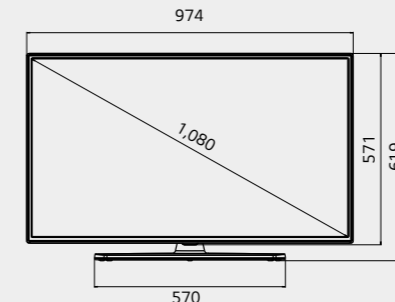


43"

974 x 619 x 303

12.4kg

*Swivel

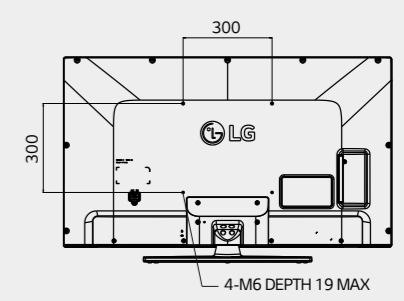
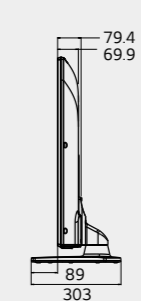
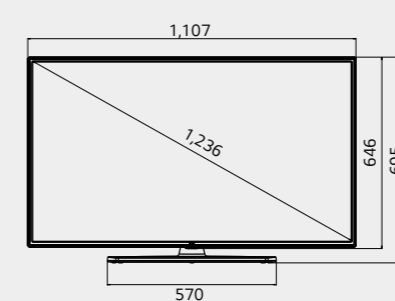


49"

1,107 x 695 x 303

15.0kg

*Swivel



Connectivity

- 1 H/P OUT
- 2 OPTICAL DIGITAL AUDIO OUT
- 3 LAN
- 4 HDMI IN 1
- 5 VOLUME CONTROL
- 6 STEREO
- 7 CLOCK
- 8 RS-232C IN
- 9 COMPONENT IN / AV IN
- 10 LNB Satellite IN
- 11 ANTENNA/CABLE IN
- 12 HDMI IN 2
- 13 HDMI IN 3
- 14 USB IN

